

Aluminium French Door Installation Guide

Before You Start

Read this guide all the way through before starting.

Check the size of the opening against the French Door outer frame to ensure a good fit.

Ensure you have all components available - cills, end caps, gaskets, packers etc

It is vital to ensure that the French Door is fitted level, plumb and square and that it is toe and heeled correctly. Failure to do this will mean the doors will not open or close correctly and the locking mechanism might not work.

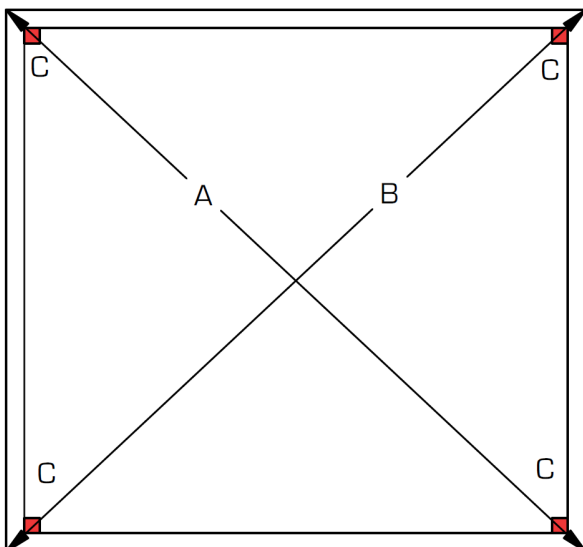
1

Screw fix and seal the cill end caps in position. Set the cill in the required position. Make sure that the cill is absolutely level.

2

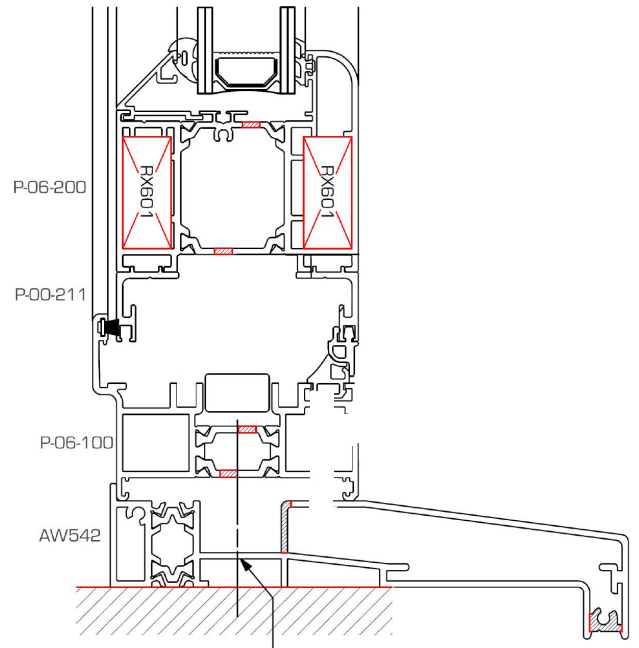
The French door can now be positioned on the cill and in the opening.

Use packers in the corners to hold the French Door in place and to ensure it remains level, plumb and square. To check the outer frame is square measure the diagonals. There should be no more than 1 - 2mm difference between A and B



3

Fix through the thermal break at the bottom into the cill (do not screw through the drain holes).



4

The first fixing must always occur within 150mm of each corner and at no more than 600mm centres, Do not over tighten fixings. Packers should be used around the fixings to prevent distortion of the frame. Foam can be used but it is not an alternative to screw fixing and care should be taken not to come into contact with the painted finish.

Fix the outer frame into brickwork up both sides.

Fix the head of the outer frame into brickwork or steel above.

Double check the diagonals to make sure they are still equal.

Check that the doors are working correctly and operating smoothly.

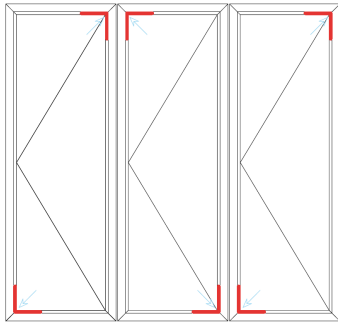
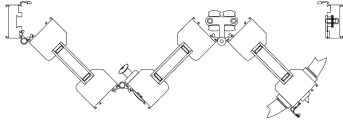
5

Prior to glazing ensure that the door and the T bar are locked.

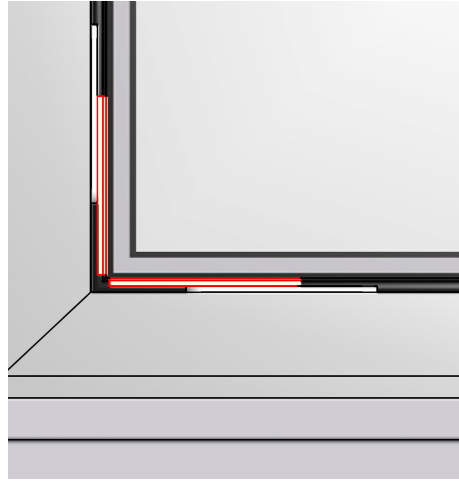
Remove the glazing beads of the first leaf.

It is vital that all leaves are 'toe and heeled' correctly. Failure to toe and heel correctly will result in the doors not operating properly.

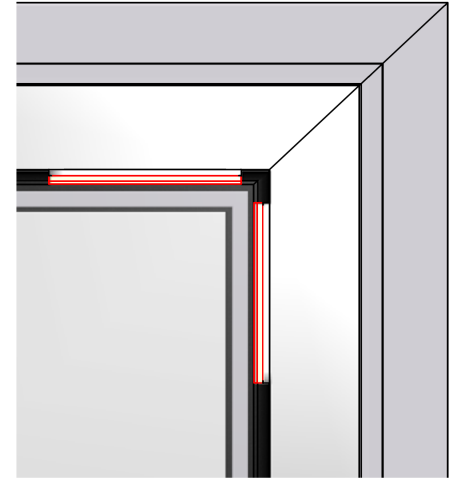
Using the glazing packers supplied, pack the bottom corner of the hinge side, top corner of the opposite/outside.



Example on a 3 leaf Bifold



'Heel' - Pack bottom hinge side



'Toe' - Pack top opposite side

6

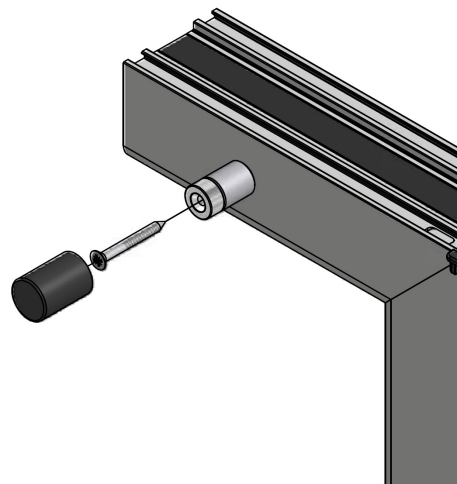
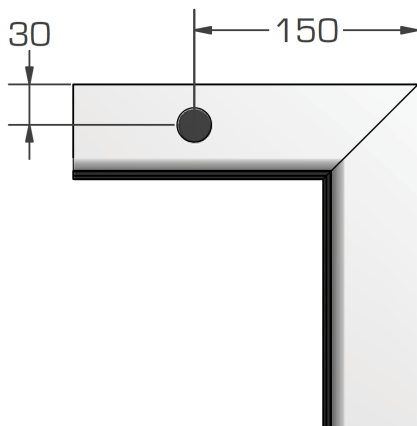
Lift the glass into place and fit extra packers where required to take up any slack. Refit the glazing beads.

Fit the push in gasket. To ease fitting the gasket should be dipped in warm soapy water, particularly if its cold. Over stack the gaskets to allow for a small amount of shrinkage. The gaskets are designed to be a tight fit.

Repeat with remaining leaves.

7

Install the magnets as shown with the fixing supplied. Magnets to be fitted between the leaves when the leaves are open.



8

Silicone seal internally and externally, clean down.