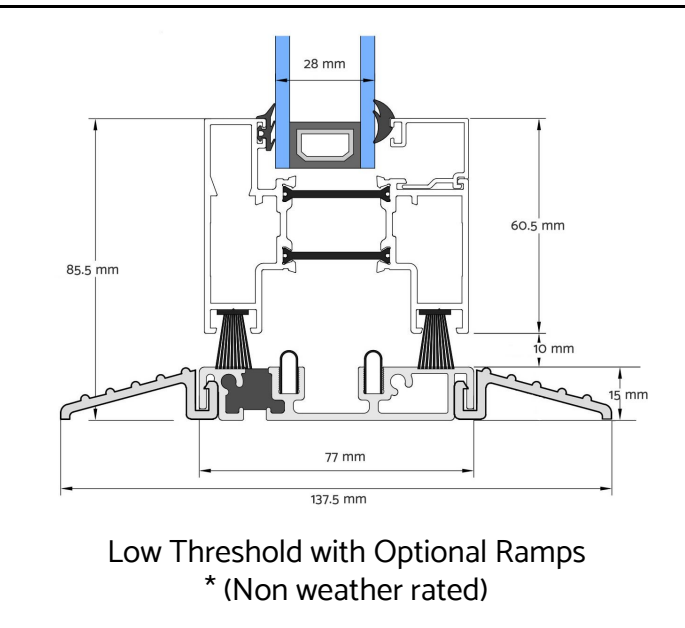
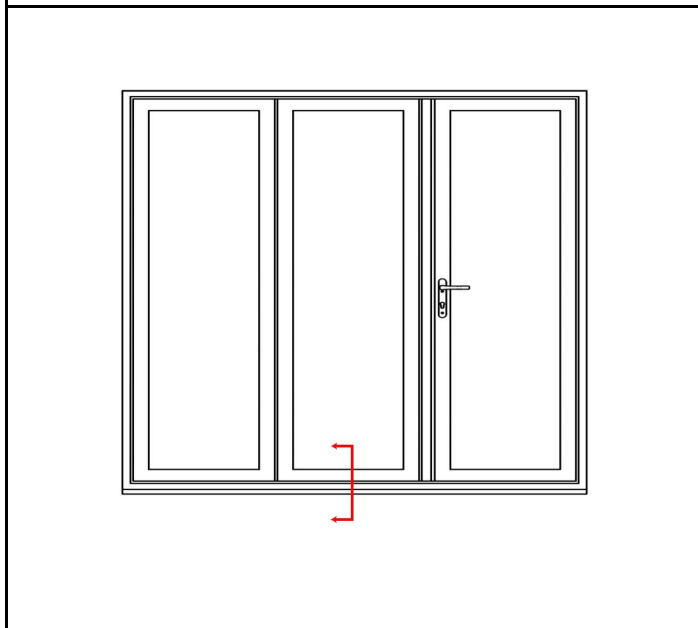
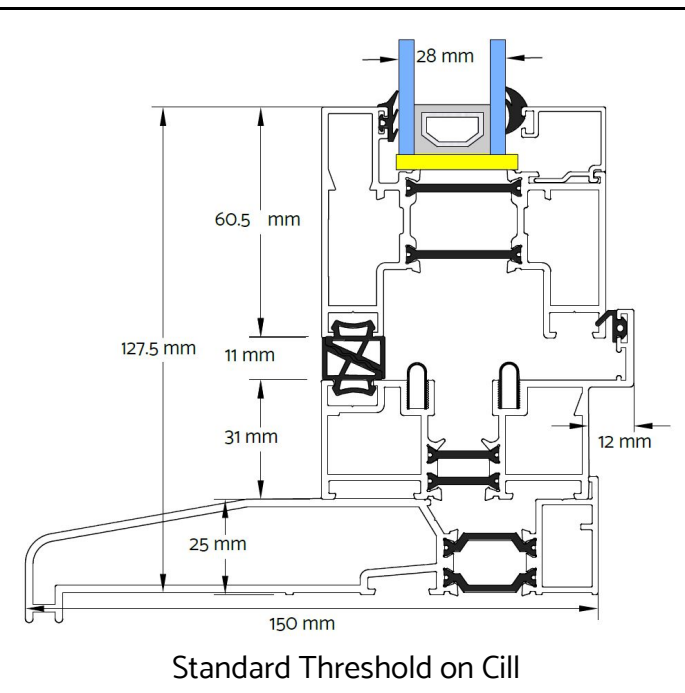
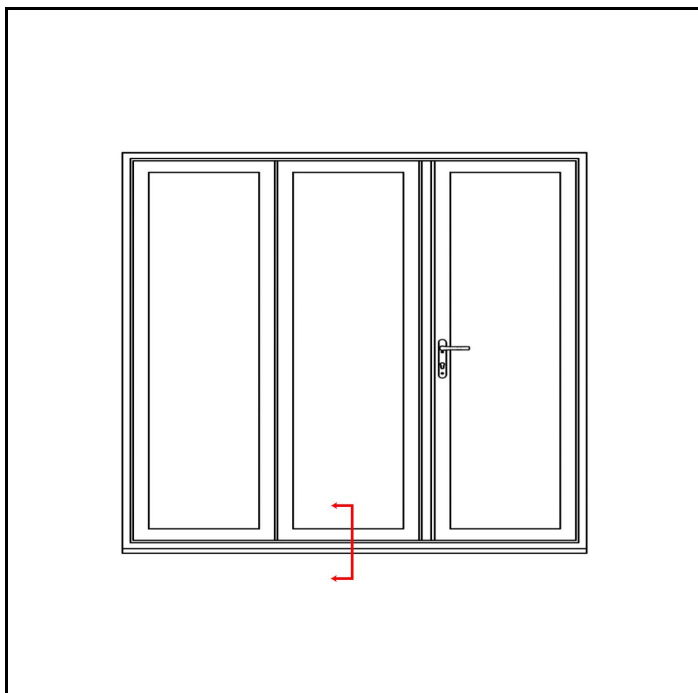
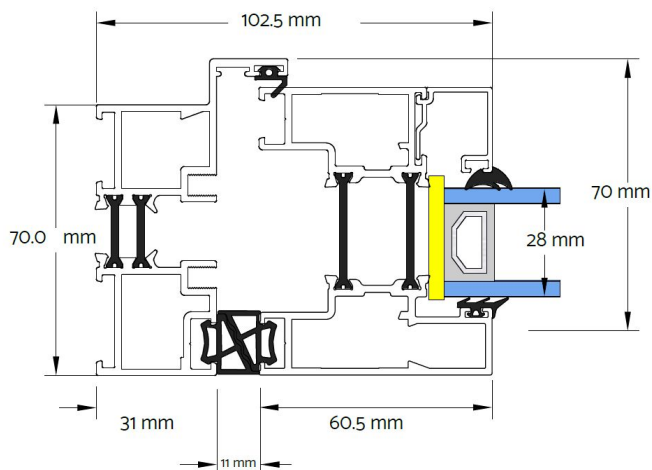
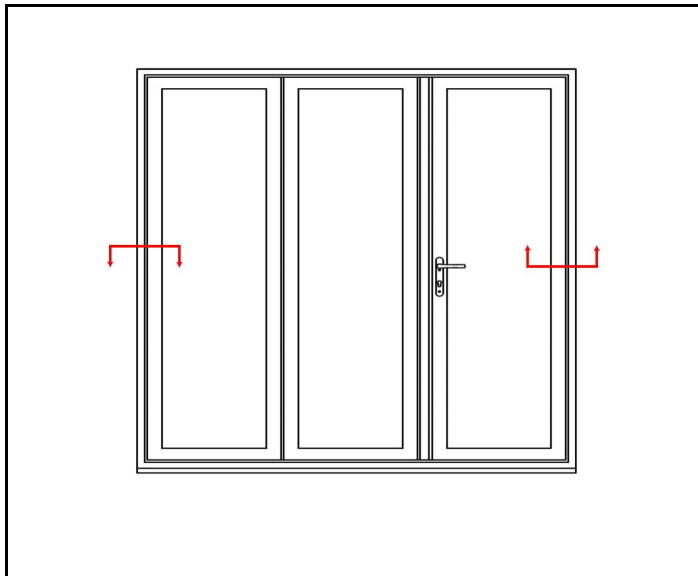


ALUMINIUM BIFOLD DOOR - Page 1 of 3

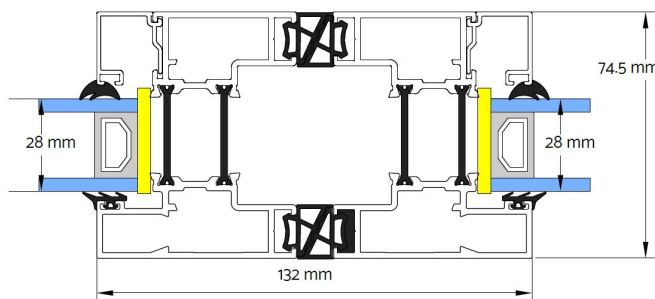
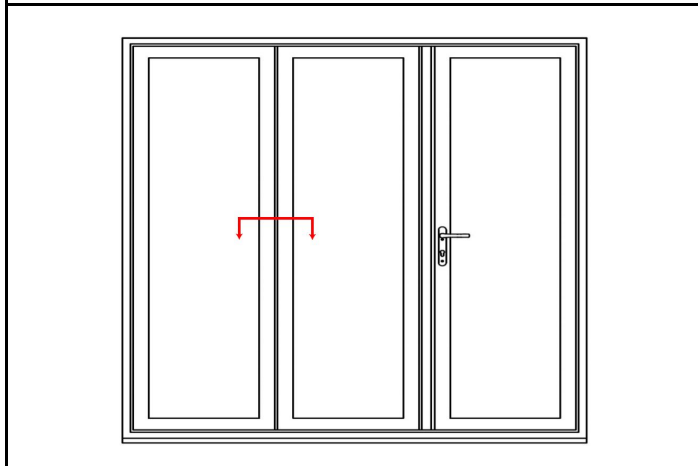


\* Low threshold doors do not have a full weather rating. For fully weather rated doors choose the standard threshold.

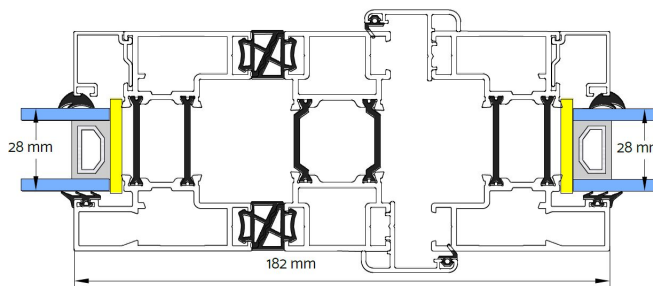
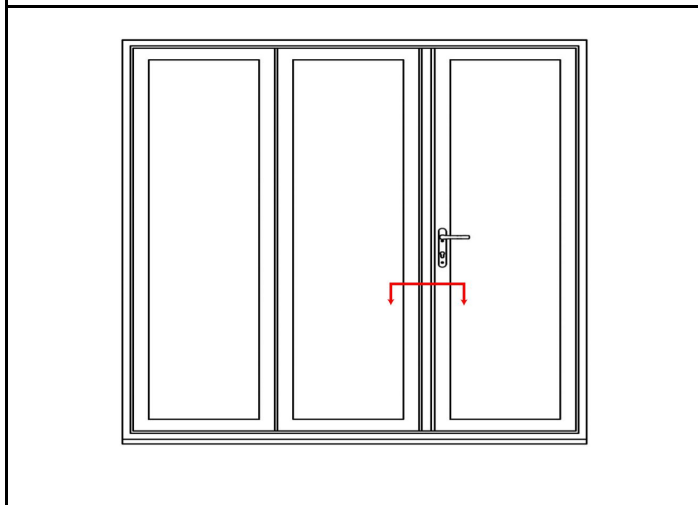
ALUMINIUM BIFOLD DOOR - Page 2 of 3



Outer Side Upstand

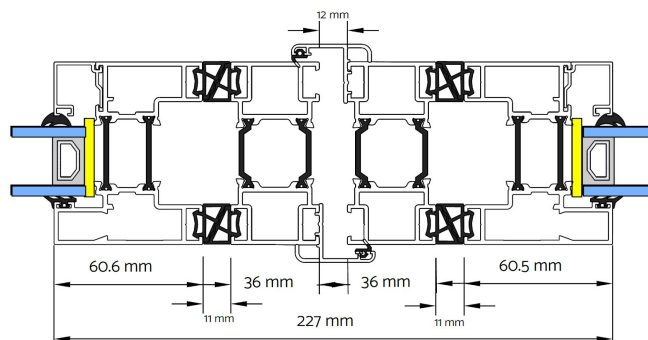
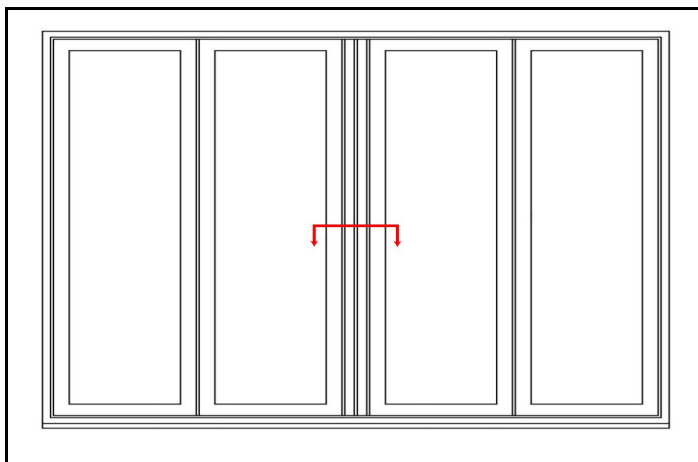


Between Door Sashes

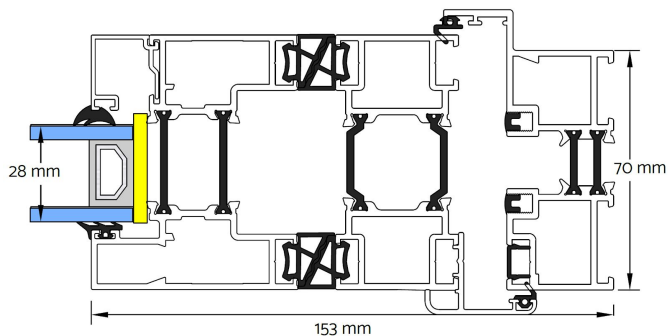
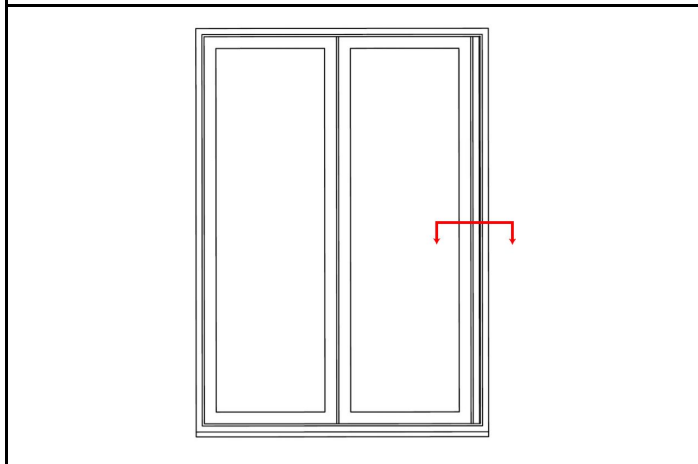


Applicable schemes: 321, 312, 431, 413, 532, 523, 541, 514, 651, 615, 633, 761, 716, 743, 734

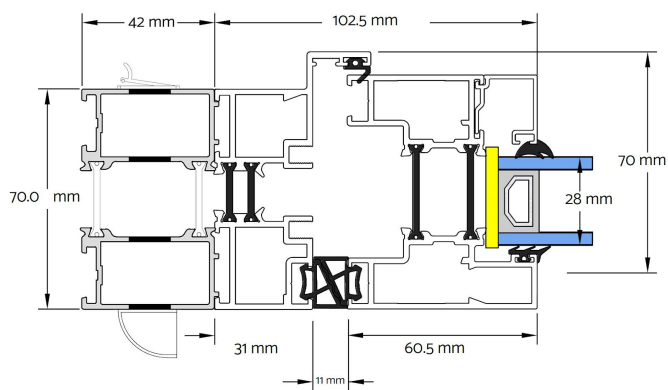
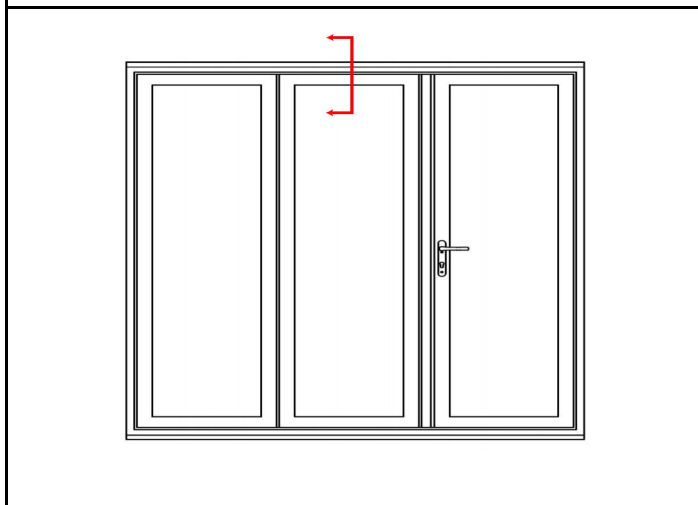
**ALUMINIUM BIFOLD DOOR - Page 3 of 3**



Applicable scheme: 422 only



Applicable schemes: 220, 202, 440, 404, 660, 606



Head with optional trickle vent in 42mm add-on